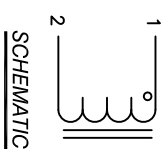
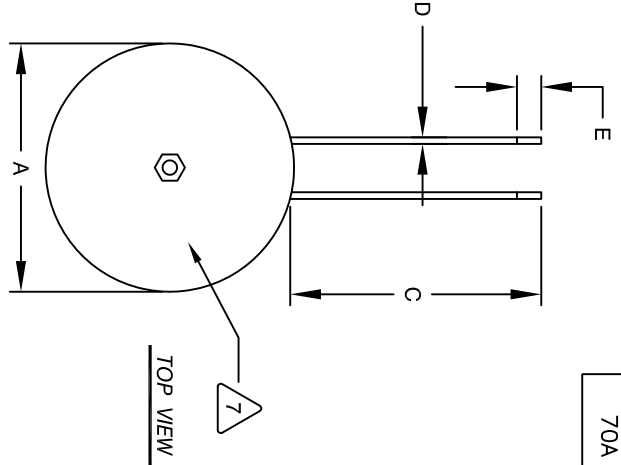
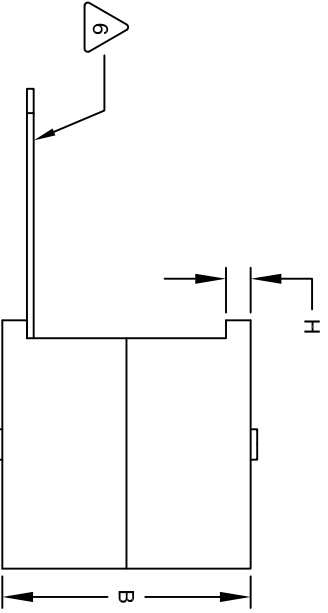
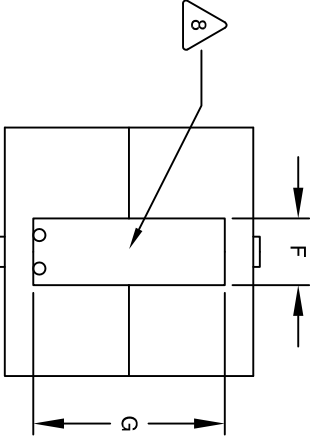


The information contained in this drawing is the sole property of Coil Winding Specialist, Inc. Any reproduction in part or whole without written permission of Coil Winding Specialist, Inc. is prohibited.



DIMENSIONAL TOLERANCES INCHES (MM)							
A	B	C	D	E	F	G	H
4.76 [120.80]	4.76 [120.80]	7.00 [177.80]	0.13 [3.28]	0.75 [19.05]	1.56 [39.50]	3.77 [95.80]	0.49 [12.50]



DC-BIAS	L
0A	13000uH
10A	11800uH
20A	9200uH
30A	7500uH
40A	6000uH
50A	5500uH
60A	5300uH
70A	5100uH

REVISION HISTORY		SIGN & DATE	
REV	ECN	BR	DATE
A		JL	10/28/17

DESCRIPTION	DATE
PRODUCTION RELEASE	10/28/17

- 10 AC INDUCTOR, FILTER INDUCTOR, EMI INDUCTOR
- APPLICATION: OUTPUT CHOKE, HIGH CURRENT INDUCTOR,
- 9 BUILT TO ROHS COMPLIANCE
- 8 NOMEX COVER

- 7 LABEL PART NUMBER AND REVISION WHERE SHOWN
- 6 TEFLON SLEEVE

- 5 APPLY SILICON IF REQUIRED
- 4 CORES WITH NOMEX INSULATION
- WIND SOLID MAGNET WIRE ONTO
- CONSTRUCTION:

WEIGHT: 17.5 LB (TYP)
 RECOMMENDED OPERATING FREQUENCY: 60HZ TO 500KHZ
 RECOMMENDED AMBIENT OPERATING TEMP: -40°C TO 85°C
 HI-POT TEST FROM WINDING TO CORE 1000VDC @ 2mA, 1 MIN
 INTERWINDING CAPACITANCE @ SRF = 212pF (TYP)
 |Z|@SRF=480 KIL-OHM (TYP)
 SRF=95 KHZ (TYP)
 RATED CURRENT: 70 AMPS, APPROPRIATE AIR FLOW NEEDED.
 DCR= 90 MILLI-OHM MAX.

- 3 L@DC BIAS: SEE TABLE ON RIGHT.
- L=13000uH ±15%, MEASURED AT 1 KHZ, 0.25V, ZERO DC BIAS
- SPECIFICATIONS:
- 2 CORE: COMPACTED POWDER POT CORE
- 1 MATERIAL: UL RECOGNIZED

NOTES: UNLESS OTHERWISE SPECIFIED READ FROM BOTTOM UP.
 CAGE CODE: 5DME2

UNLESS OTHERWISE SPECIFIED		AUTOCAD	
DIMENSIONING AND TOLERANCE PER ANSI Y14.5M	ALL DIMENSIONS ARE IN INCHES AND [DIMETERS].	SOLIDWORKS	SIGN
TOLERANCE INCHES: .XX±.010 .X±.020 .XXX±.254 .XX±.51 <td>TOLERANCE METERS: ±.40°30'</td> <td>DRAWN</td> <td>JL</td>	TOLERANCE METERS: ±.40°30'	DRAWN	JL
ANGLE PROJECTION	DO NOT SCALE DRAWING	CHKD	JL
		ENGR	JL
		APPR	BO
		DATE	10/28/17
		DATE	10/28/17

PARTS LIST

www.coilws.com
 sales@coilws.com

Coil Winding Specialist, Inc.
 353 W GROVE AVE
 ORANGE, CA 92665

High Inductance Inductor
 13000 uH, 70 Amps

SIZE DWG. NO. HIPC-133M-70A